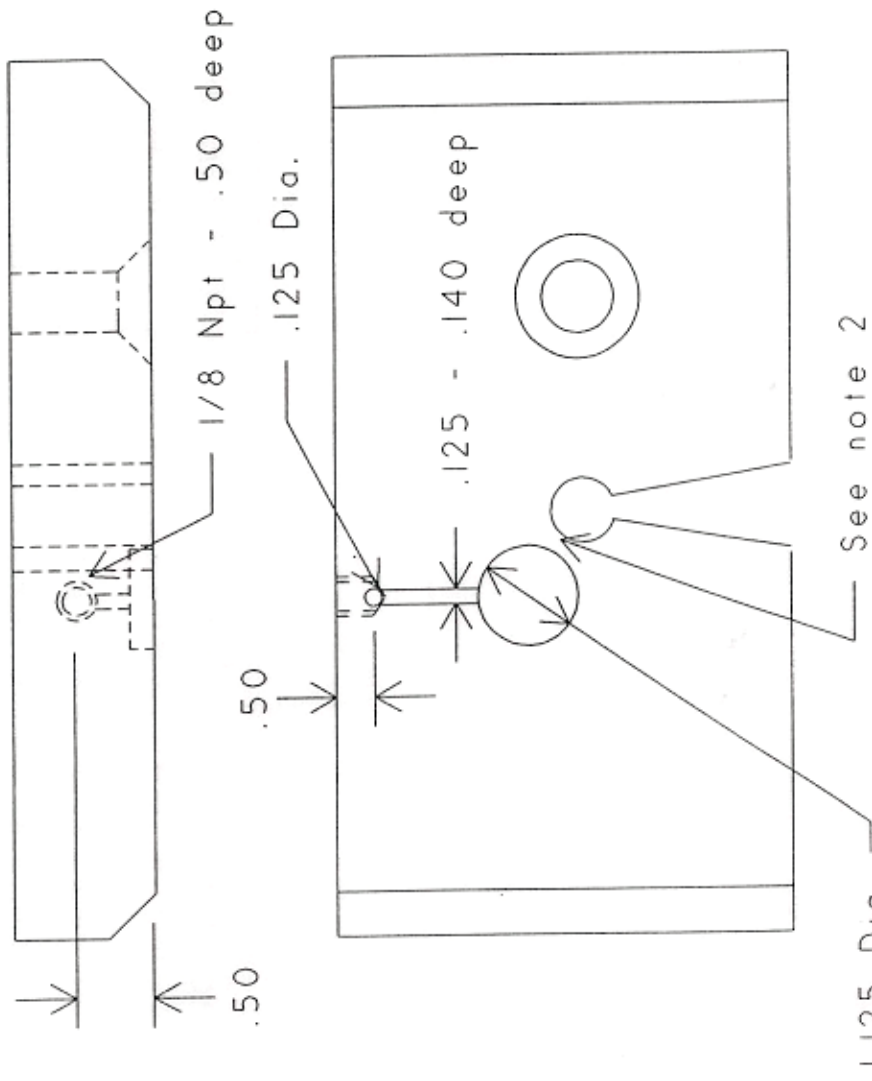


TOP VIEW



REAR VIEW

PROCESS	IMPAX®
TECHNOLOGIES	
GROUP, INC.	
TITLE: NATIONAL 1D2B DIE BACKING PLATE	
NAME: DAVID LOCKE	DATE: 6/6/96
DRAWING NUMBER: GENERIC DRAWING 1/8.1/4.3/16	

- Note 1: Surface of pocket must be flat with a rough surface.
- Note 2: Sensor pocket located 1/8" from edge of kickout hole.