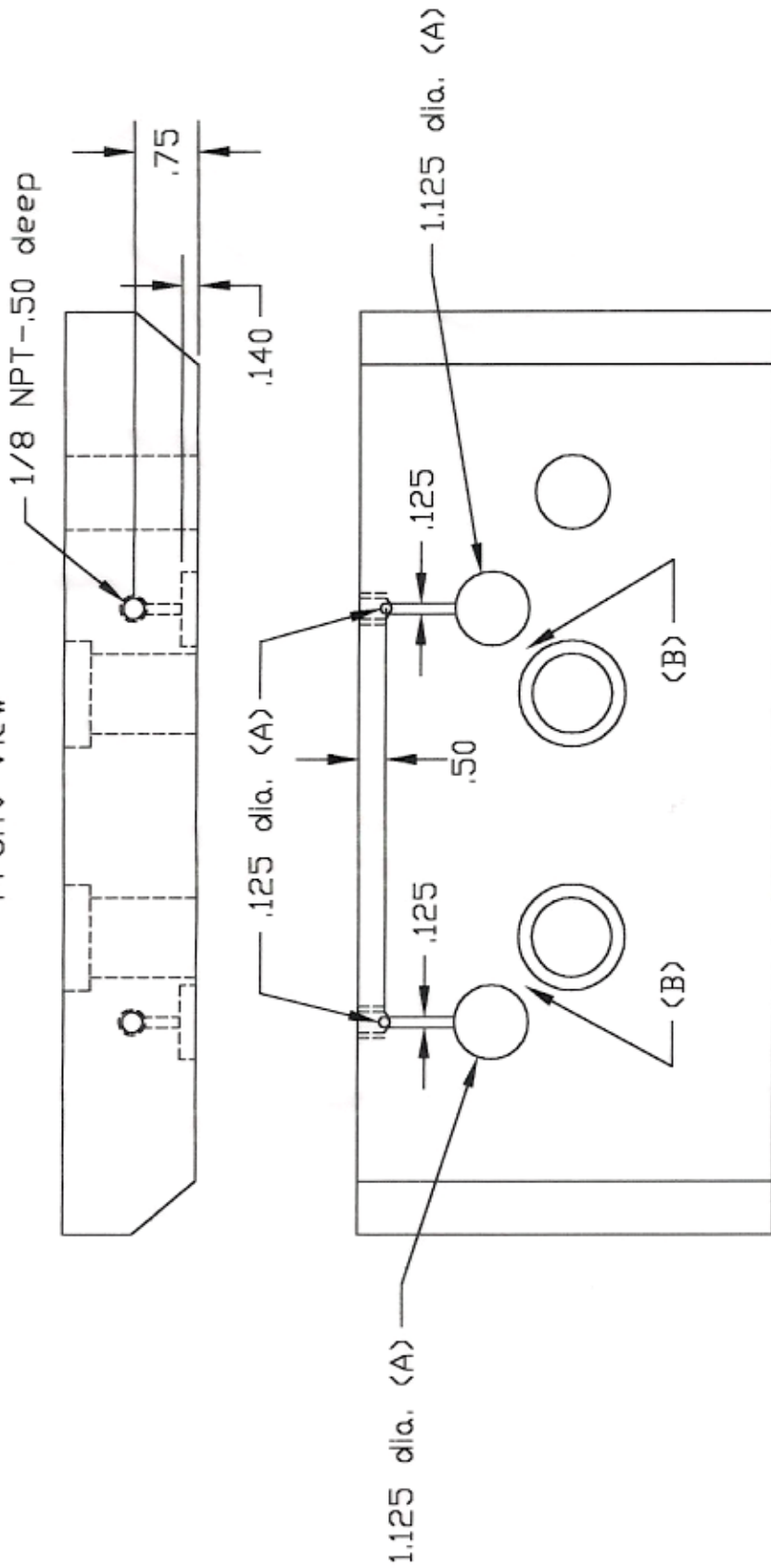


Front View



Rear View

NOTES:

- A) Sensor pocket must have a rough flat surface. Depth of sensor pocket and wire groove is .140.
- B) Locate the sensor pocket 1/8" from the edge of the knockout hole

**PROCESS**  
**TECHNOLOGIES**  
**GROUP, INC.**

**IMPAX®**

TITLE: NATIONAL 2D3B DIE BACKING PLATE

DRAWN BY: CHRIS SMITH      DATE: 10/28/97

DRAWING NUMBER: NAT-CS-005